



Series: I

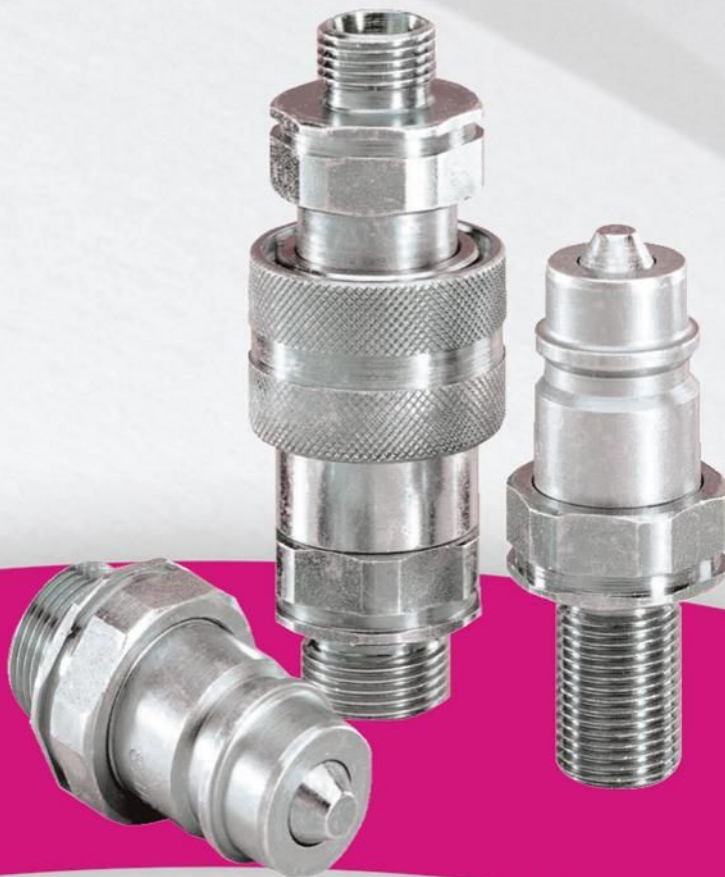
INTERCHANGE: ISO 7241-1 series "A"

MAIN APPLICATIONS

- Agricultural equipment
- Industrial equipment

"I" is a poppet valve quick coupling series, with modular structure, manufactured in carbon steel with zinc plated surface treatment.

The modular structure allows the flexibility to offer several types of port configurations to satisfy diverse applications while maintaining a compact dimension. It is available in size 1/2 for the most popular applications needing the interchangeability with ISO 7241-1 "A".

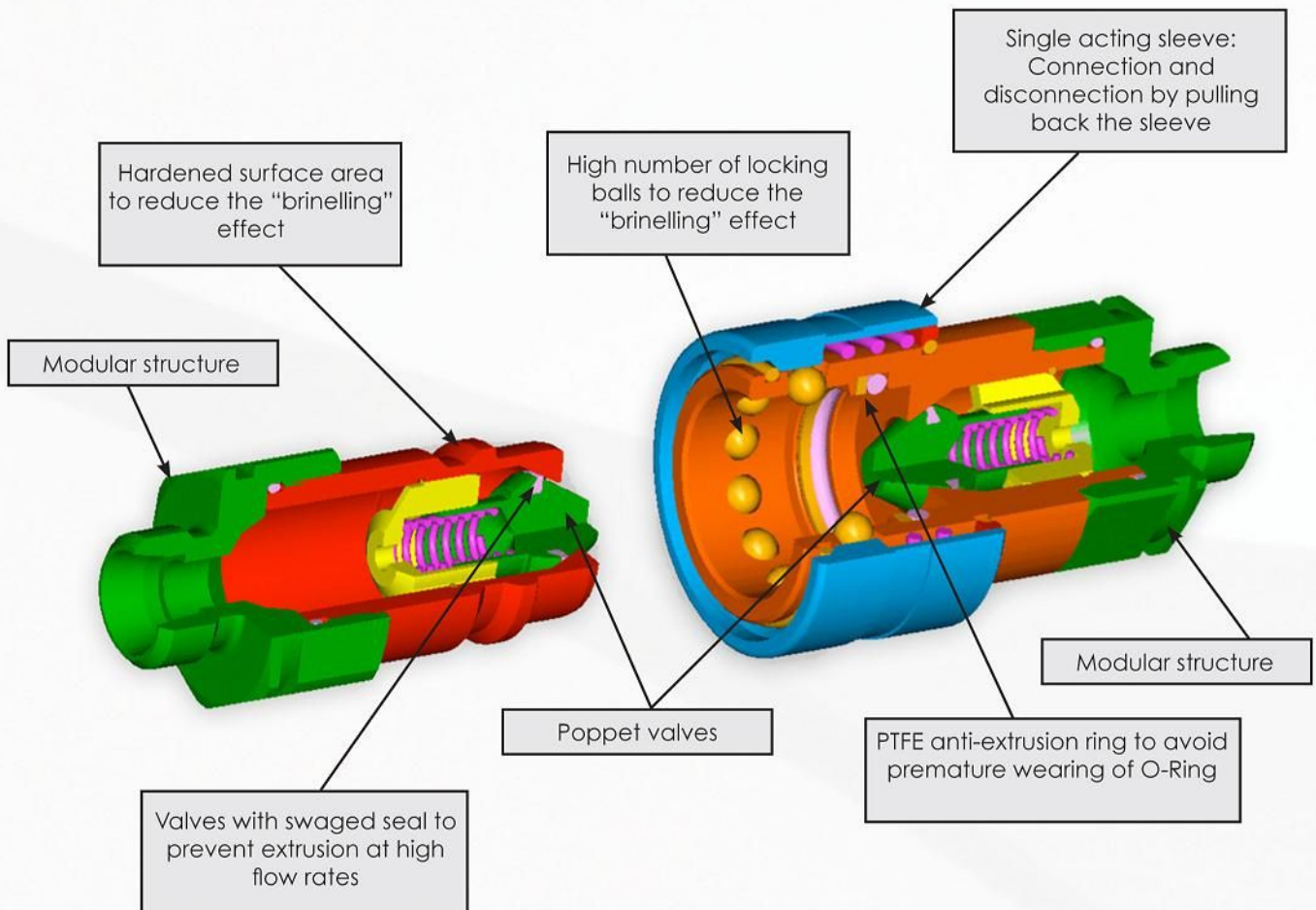


Stucchi[®]

A CONSTANT FLOW OF SOLUTIONS

TECHNICAL FEATURES AND OPTIONS

- Interchangeability: ISO 7241-1 series "A"
- Valve system: Poppet valve
- Mechanical connection: Locking balls
- Connection system: Pulling back the sleeve and pushing one half towards the other
- Disconnection system: Pulling back the sleeve
- Connection with residual pressure: Not allowed
- Disconnection with residual pressure: Not allowed
- Threads available: Metrics DIN
- On request: Free flow version (no valving)
- Construction material: Carbon steel
- Surface treatment: CrIII zinc plated
- Springs: C72 steel
- Balls: Hard steel 100 C6
- Seals: standard in NBR (Nitrile)
- Seals on request: VITON
- Anti-extrusion rings: PTFE



BENEFITS

- The poppet valve with elastomer seal provides maximum sealing of the couplings when disconnected.
- Shape of internal parts is designed to reduce turbulence and pressure drop.
- The modular design allows flexibility with the range of port configurations.
- Compact slim design.
- Simple to use.

HOW TO USE

- Before connecting clean the mating parts of the couplings to avoid contamination in the circuit.
- To couple pull back the sleeve of the female coupling, align the female with the male coupling and push one into the other until both halves are fully connected and release the sleeve.
- To uncouple pull back the sleeve of the female coupling, pull out the mating half.

WARNING!

- Do not couple-uncouple with flow and/or pressure in the circuit.
- Use protection whenever connecting or disconnecting with high temperature (max. allowed 80°C, 176 °F).
- When the couplings are disconnected, it is suggested to use the protection caps (BIR12).

PERFORMANCE

Description	Size	ISO Size	Rated flow		Max. flow suggested		Connect force		Disconnect force		Spillage *
			l/min	GPM	l/min	GPM	N	lbf	N	lbf	
112	1/2	12,5	45	11,93	90	23,85	70	15,75	55	12,38	2,10

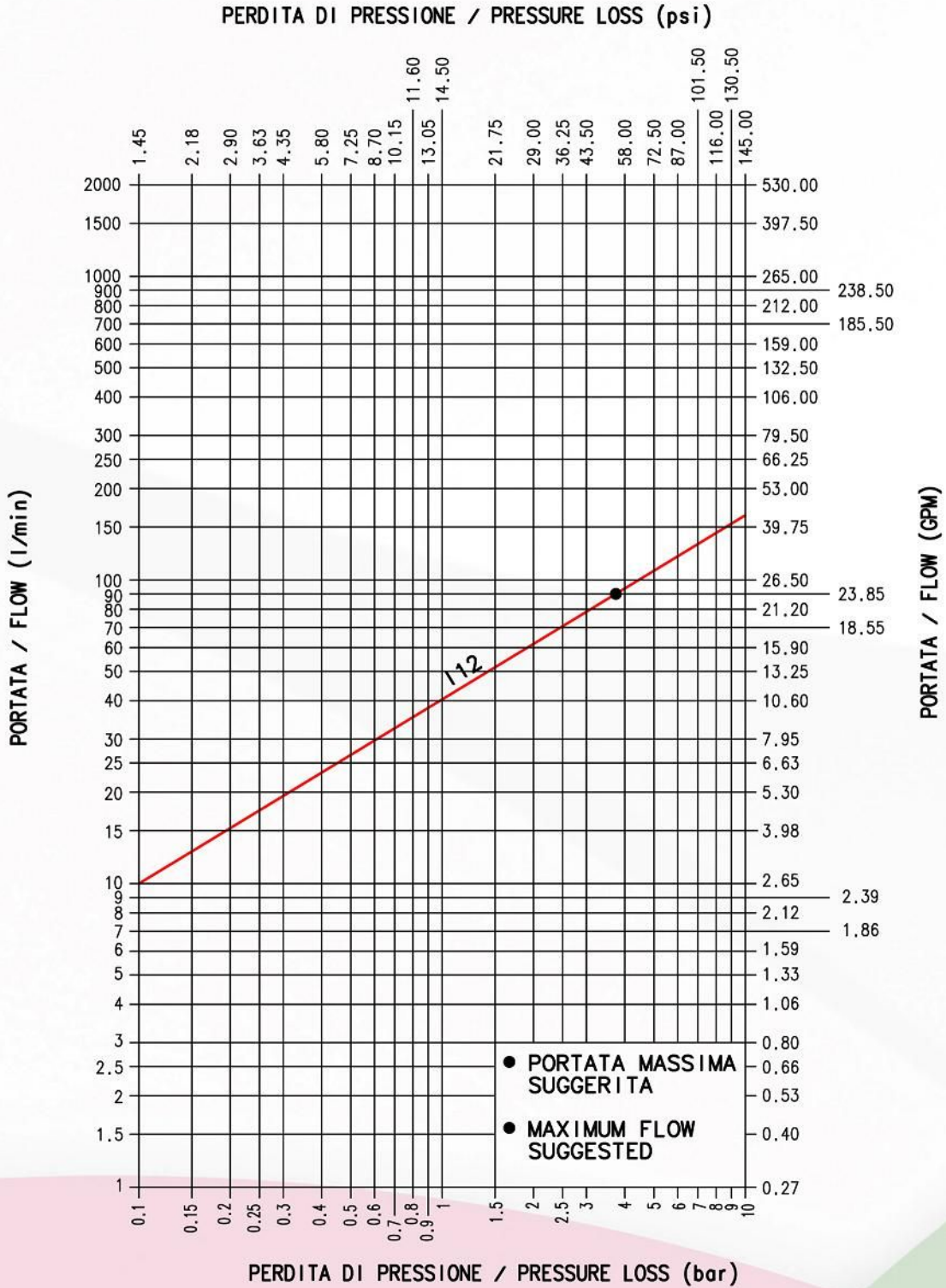
Description	Max. operating pressure						Burst pressure					
	Coupled		Male		Female		Coupled		Male		Female	
	MPa	psi	MPa	psi	MPa	psi	MPa	psi	MPa	psi	MPa	psi
112	25	3625	25	3625	25	3625	80	11600	80	11600	100	14500

* Spillage is an indicative value of the fluid loss per couple-uncouple cycle.

- Temperature range:
 - Standard seals NBR (Nitrile): from -20 °C to +100 °C (from -4 °F to +212 °F).
 - VITON seals: from -15°C to +180°C (from +5 °F to +356 °F).

PRESSURE DROP

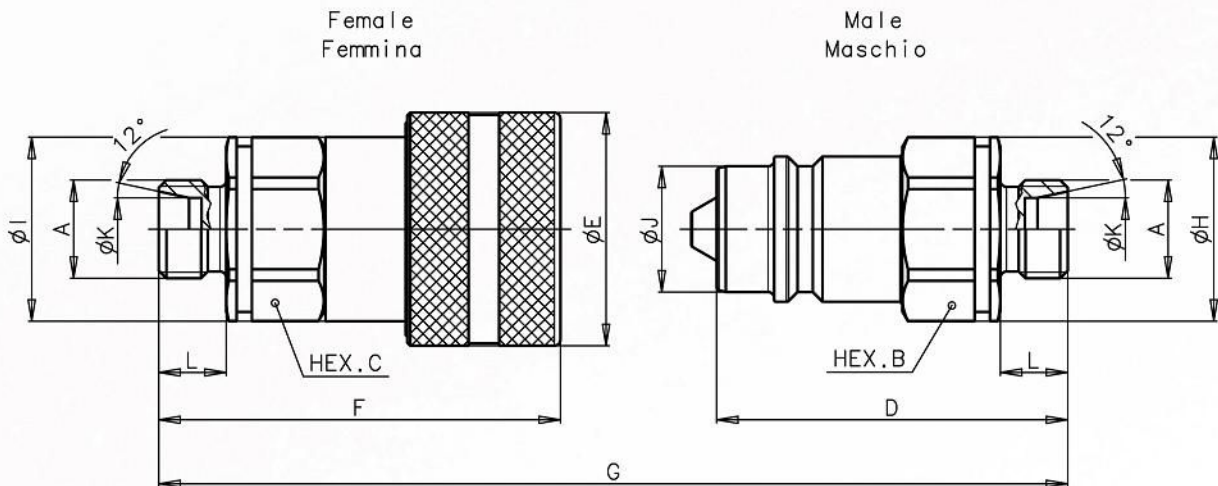
TESTS ESEGUITI IN CONFORMITA' A ISO 7241-2
 TESTS IN ACCORDANCE WITH ISO 7241-2



FLUIDO: OLIO ISO VG32
 TEMPERATURA: 40°C
 VISCOSITA': 28.8-35.2 mm²/s

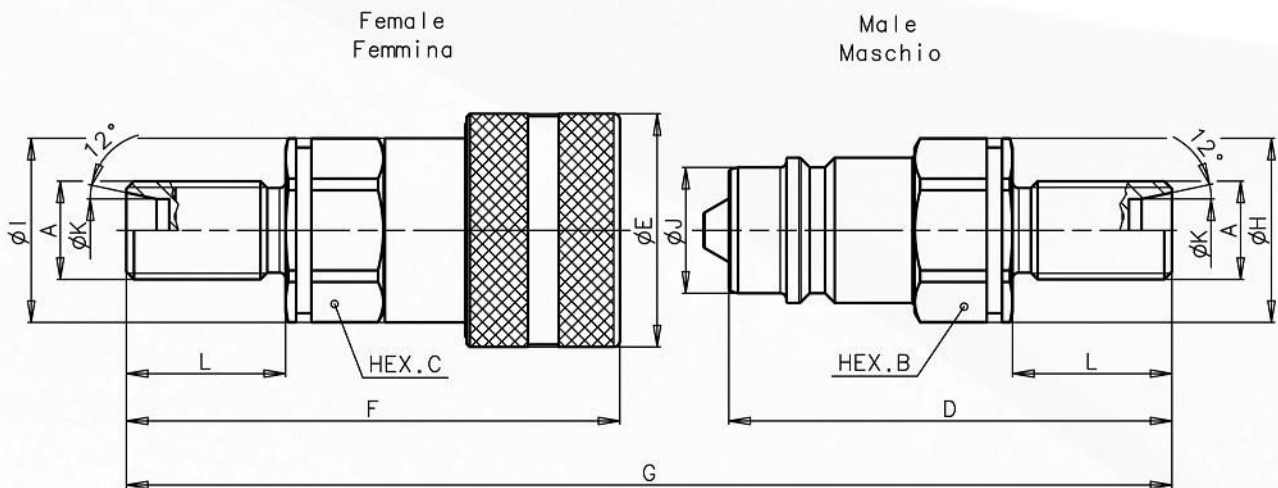
FLUID: OIL ISO VG32
 TEMPERATURE: 40°C
 VISCOSITY: 28.8-35.2 mm²/s

OVERALL DIMENSIONS



FILETTATURA MASCHIO METRICA CONO 24° - DIN 2353

Description	A	Unit	B	C	D	E	F	G	H	I	J	K	L	Unit	Weight	
															Male	Female
I12 L12	M18x1,5	mm	27	27	57,3	38	65,6	101,4	30	30	20,5	12,2	11	Kg	0,115	0,259
		Inch	1,06	1,06	2,26	1,50	2,58	3,99	1,18	1,18	0,81	0,48	0,43	lb	0,25	0,57
I12 L15	M22x1,5	mm	27	27	54,5	38	62,8	95,8	30	30	20,5	15,2	12	Kg	0,114	0,255
		Inch	1,06	1,06	2,15	1,50	2,47	3,77	1,18	1,18	0,81	0,60	0,47	lb	0,25	0,56



FILETTATURA MASCHIO METRICA CONO 24° - DIN 2353

Description	A	Unit	B	C	D	E	F	G	H	I	J	K	L	Unit	Weight	
															Male	Female
I12 L12 SCHOTT	M18x1,5	mm	27	27	72,3	38	80,4	131,2	30	30	20,5	12,2	26	Kg	0,123	0,265
		Inch	1,06	1,06	2,85	1,50	3,17	5,17	1,18	1,18	0,81	0,48	1,02	lb	0,27	0,58
I12 L15 SCHOTT	M22x1,5	mm	27	27	69,5	38	77,8	125,8	30	30	20,5	15,2	27	Kg	0,120	0,260
		Inch	1,06	1,06	2,74	1,50	3,06	4,95	1,18	1,18	0,81	0,60	1,06	lb	0,26	0,57

The texts, data and illustrations indicated in this catalogue, may be changed by Stucchi S.p.A at any time without notice. (CAT. I - EN - March 2008).